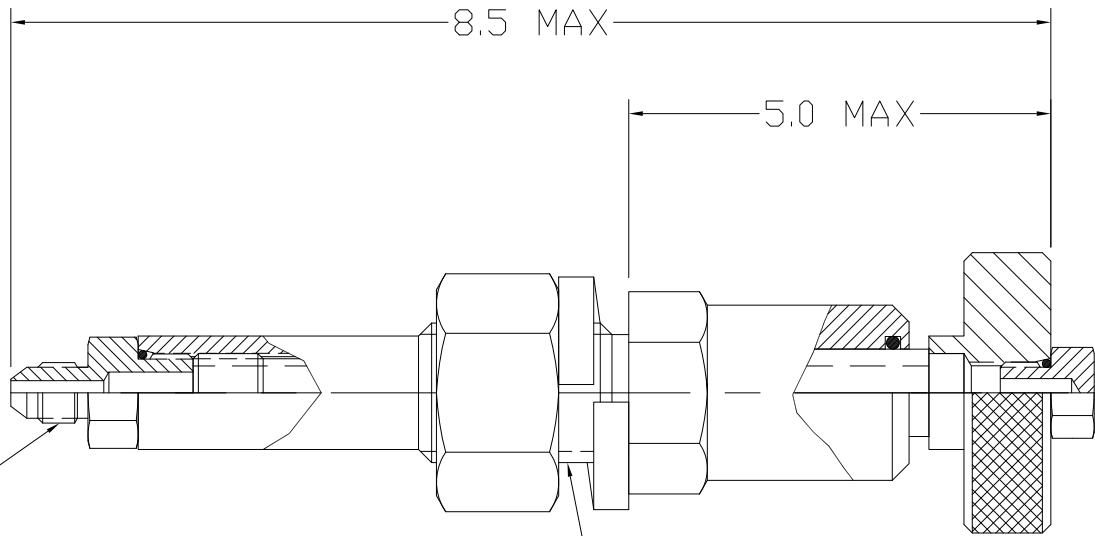


PART NO. 2106
PRESSURE CONTROL
REMOTE CONTROL
SEAL KIT SK-2106



8.5 MAX

5.0 MAX

1/4" MALE JIC
7/16-20UNF-2A TH'D.

$\phi 1.0$